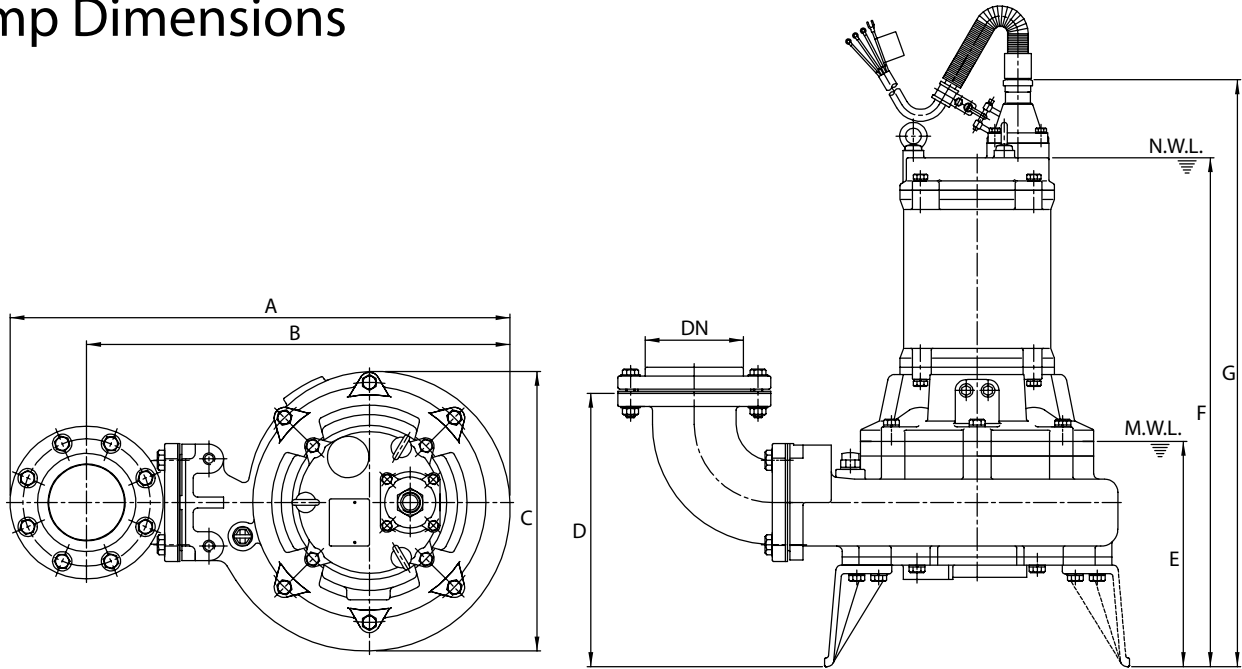


SNC-04(V/E)-XX-75; SNC-04E-XX-100

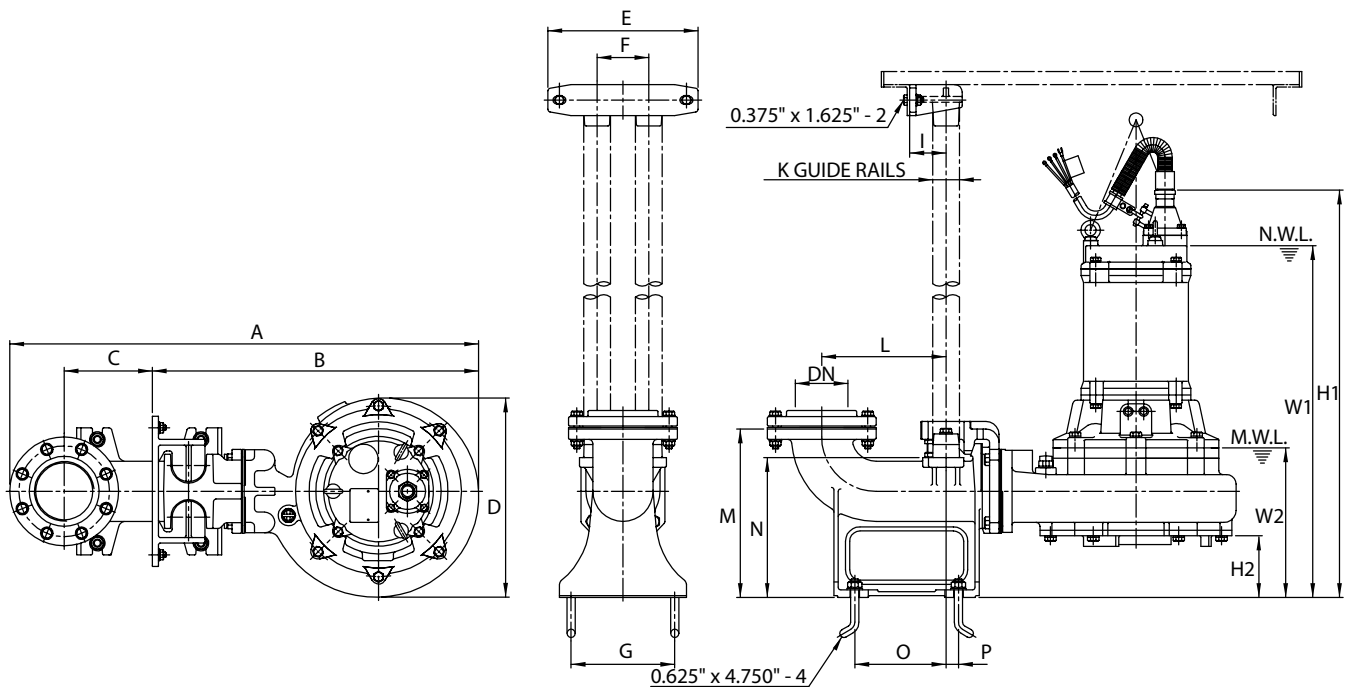
Pump Dimensions



TYPE	DN	A	B	C	D	E	F	G
SNC-04(V/E)-XX-75	4	27.00	22.88	15.13	14.88	12.25	27.50	31.75
SNC-04E-XX-100	4	27.00	22.88	15.13	14.88	12.25	27.88	31.13

N.W.L.: Normal water level
M.W.L.: Minimum water level

Easy Lift GRS - Guide Rail System Dimensions



TYPE	DN	A	B	C	D	E	F	G	I	K	L	M	N	O	P	W1	W2	H1	H2
SNC-04(V/E)-XX-75	4	36.38	25.50	6.63	15.13	11.38	3.88	7.88	2.75	2.00	9.50	12.75	10.63	6.88	0.88	26.63	11.38	30.88	4.63
SNC-04E-XX-100	4	36.38	25.50	6.63	15.13	11.38	3.88	7.88	2.75	2.00	9.50	12.75	10.63	6.88	0.88	27.00	11.38	31.25	4.63

All dimensions are in inches unless otherwise noted.
SNC-04X models must remove base when using Easy Lift GRS - Guide Rail System.